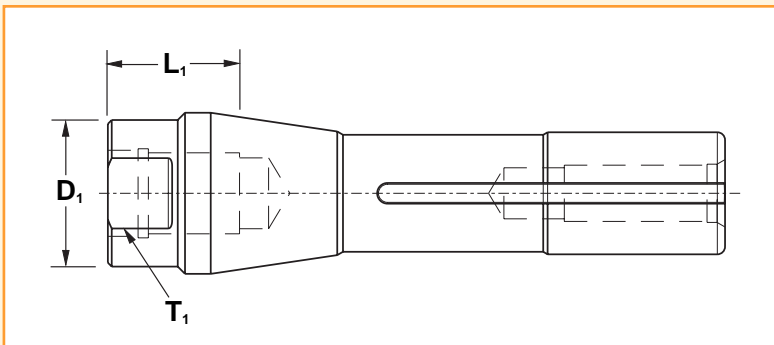


**NEW**

**TOP•ON™**

**Use your  
 Top•On cutting heads  
 on your Bridgeport  
 adaption spindles!**



**M12 and M16 Threads  
 NOW AVAILABLE!**

Item Number	Part Number	Generic Description	Internal Thread T1	Wrench Flats	Extension Length L1	D1 Hub Diameter
4543232	R8MOD12SA-08	Master Shank	M12	18mm	0.800"	0.82"
4543233	R8MOD16SA-08	Master Shank	M16	25.4mm	0.800"	1.14"

